

MADE ^{TO} ORDER

BESPOKE PRODUCTIONS

www.madetoorder.eu



MIO



MIO

INDEX

WE BESPOKE ANY TYPE OF

PRODUCTION / OUR ITEMS ARE YOUR ITEMS

[page 2](#)

REASONS THAT MAKE US DIFFERENT

/ WE ARE THE RIGHT SUPPLIER

[page 2](#)

AT ONLY 5 STEPS FROM THE ITEM THAT YOU WANT

/ FROM IDEA TO FINAL PRODUCT

[page 3](#)

BE AWARE OF ALL THE INFORMATION WE NEED TO START

YOUR PROJECT / HOW TO REQUEST A QUOTE?

[page 4](#)

PRODUCT GUIDE

/ WE ADAPT TO YOUR NEEDS

[page 5](#)

ABSOLUTE CONTROL

/ CHOOSE TO DETAIL

[page 16](#)

RAW MATERIALS THAT MAKE US DIFFERENT

/ ALL TYPE OF FINISHINGS

[page 18](#)

OUR ITEMS ARE YOUR ITEMS

WE BESPOKE ANY TYPE OF ITEM

We offer a service of bespoke. Our capacity allows us to both customize all products that are part of our extensive catalogue, as well as to produce any item starting from zero.



MAKING THE COMPLEX SIMPLE

By relying on us, a process that could be complex for organizations or companies outside the sector or not used to business with foreign suppliers it is simplified to the maximum.

Through the service of bespoke productions we offer, the customer's only concerns is to define the type of product needed. We take care of the rest.

WE ARE THE RIGHT SUPPLIER

REASONS THAT MAKE US DIFFERENT

CAPACITY, CUSTOMIZATION AND PRODUCTION

No matter the item to be developed or desired customization. We have the team and experience necessary to carry out all types of projects.

EXPERIENCE

A wide experience as manufacturers and importers allows us to understand and anticipate to our customers' needs.

EXTENSIVE KNOWLEDGE IN SUPPLIERS

Thanks to the close relationship we have with suppliers in origin and to the experience in manufacturing, we select the most suitable suppliers depending on the type of items to be produced.

NEGOTIATION POWER

Our position as major importers gives us negotiation power to obtain more competitive prices and better delivery terms.

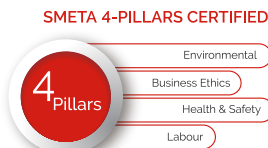
COMMITMENT TO QUALITY

We maintain a constant commitment to quality through a double check on the products made in origin as well as in our facilities before delivering to the customer.

FROM PERSON TO PERSON

We believe in relationships based on professionalism and trust. This is something only achievable through a personal and close deal with all our customers.

CERTIFICATIONS:



AT ONLY 5 STEPS FROM THE GARMENT YOU WANT



1. DEFINITION OF PROJECT

Advised by our production team, the characteristics and requirements that the garments must meet are set as well as the timing schedule of the project.



2. DESIGN AND DEVELOPMENT OF THE GARMENT

Our design team develops the specification sheet of the garment according to your needs. A design that after having been approved sent to production.



3. PRE-PRODUCTION SAMPLE.

Reception of a pre-production sample according to the indications and specifications of the approved technical sheet, with available materials and colours, as well as LAB DIPS of colour for approval.



4. PRODUCTION AND RECEPTION

According to the type of item to be produced, we select the most suitable suppliers in origin. At this stage our team supervise directly all production process since we send first the design until the reception of samples, the final production, dispatching and delivery in our facilities, where before shipping to client we carry out a final revision for evaluation, conformity and quantities.



5. DOUBLE QUALITY CONTROL

Goods are subject to a double quality control that is carried out both in origin as at the time of delivery. In this way it is always guaranteed a correct finish of the product.



HOW TO ASK FOR A QUOTE?

BE AWARE OF ALL INFORMATION WE NEED TO START UP YOUR PROJECT



The technical sheet is the document that will help us to move forward from the idea to the final item. From the information contained in it our team, in addition to drawing up a quote, will be able to advise on possible improvements. Visit the web: madetoorder.eu/ficha-tecnica to fill it in.

REQUIRED DATA TO COMPLETE PROPERLY A PRODUCT SHEET:

PRODUCT TYPE

Product description

NEED FOR SAMPLES AND COUNTERSAMPLES

Delivery of samples (min. 2 pcs)

Request for counter samples and type

INFORMATION ABOUT THE GARMENT

Raw materials and composition

Total quantity of products.

Dimensions / measures

Colours and Pantone specifications

Label

NOTES ON DELIVERY

Packaging

Reprocessing

Requested delivery date



DO YOU NEED HELP?

Our team is at your complete disposal to solve any doubt on the characteristics or items to develop. Send us and e-mail to:

info@madetoorder.es

WE ADAPT TO YOUR NEEDS

PRODUCT GUIDE

There are many national and international companies that have trusted us to develop their bespoke productions. We adapt any model to the needs of our customers, customizing them with the corporate identity or their brand colours.

ITEMS:

SHIRTS / T-SHIRTS / POLO SHIRTS

TROUSERS / SHORTS / VESTS

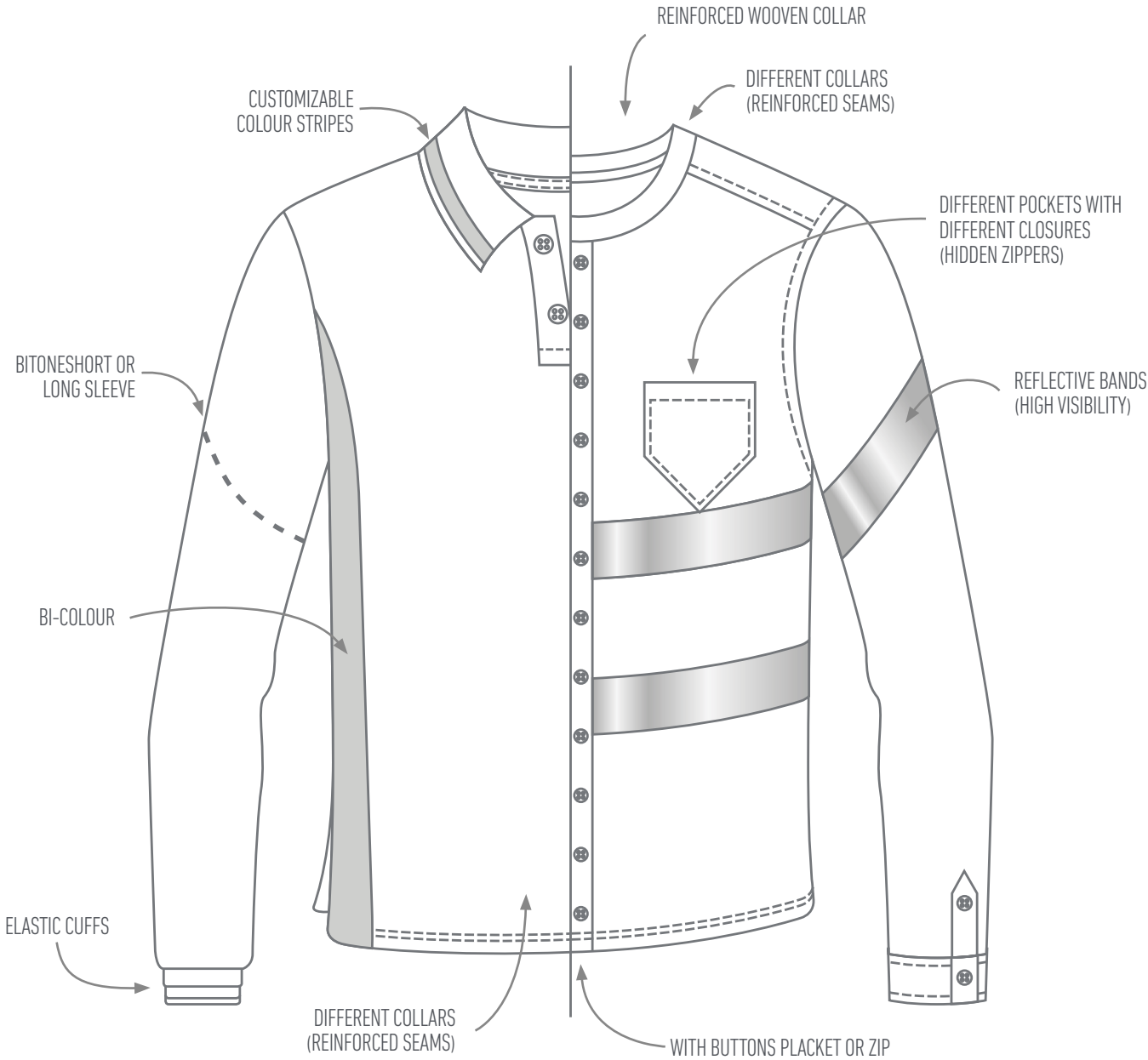
JACKETS / PARKAS / BODYWARMERS

BAGS / BACK-PACKS

FOOTBALLS

SHIRTS / T-SHIRTS / POLO SHIRTS

MADE TO ORDER





SLEEVELESS POLO SHIRT

SOFT FABRIC FITTED CUT



SHIRT

FITTED CUT



POLO SHIRT FOR MAN

RIBBED REINFORCED COLLAR

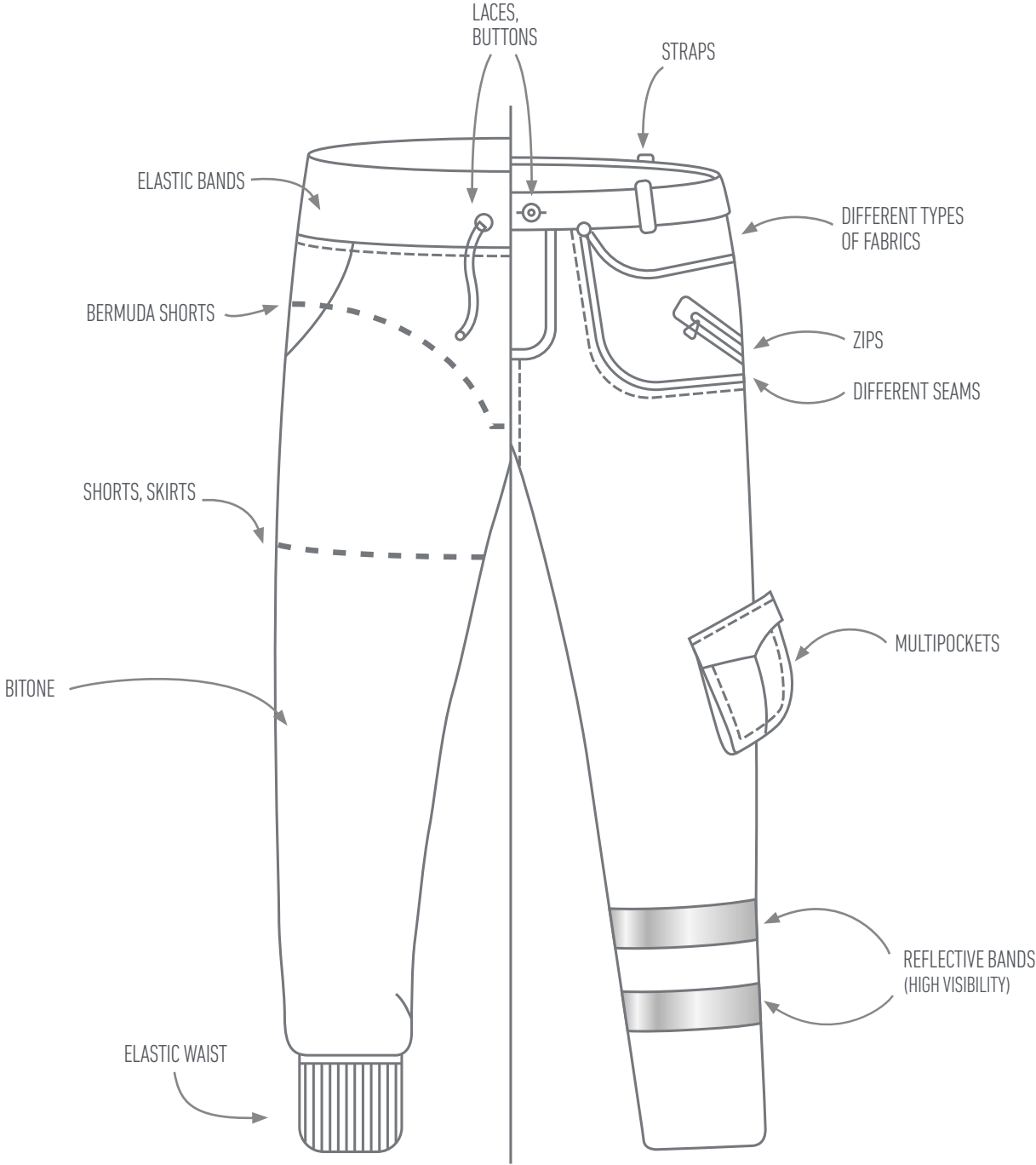


BI-COLOUR T SHIRT

SPECIAL WOMAN FITTED WAIST

TROUSERS / SHORTS / SKIRTS

MADE TO ORDER





TROUSER

STRAIGHT PANT MULTI POCKET



WOMEN TROUSER

WAIST WITHOUT ELASTIC WITH ADJUSTABLE DRAW CORD



BERMUDA SHORTS

MULTIPOCKET. WAIST WITHOUT ELASTIC

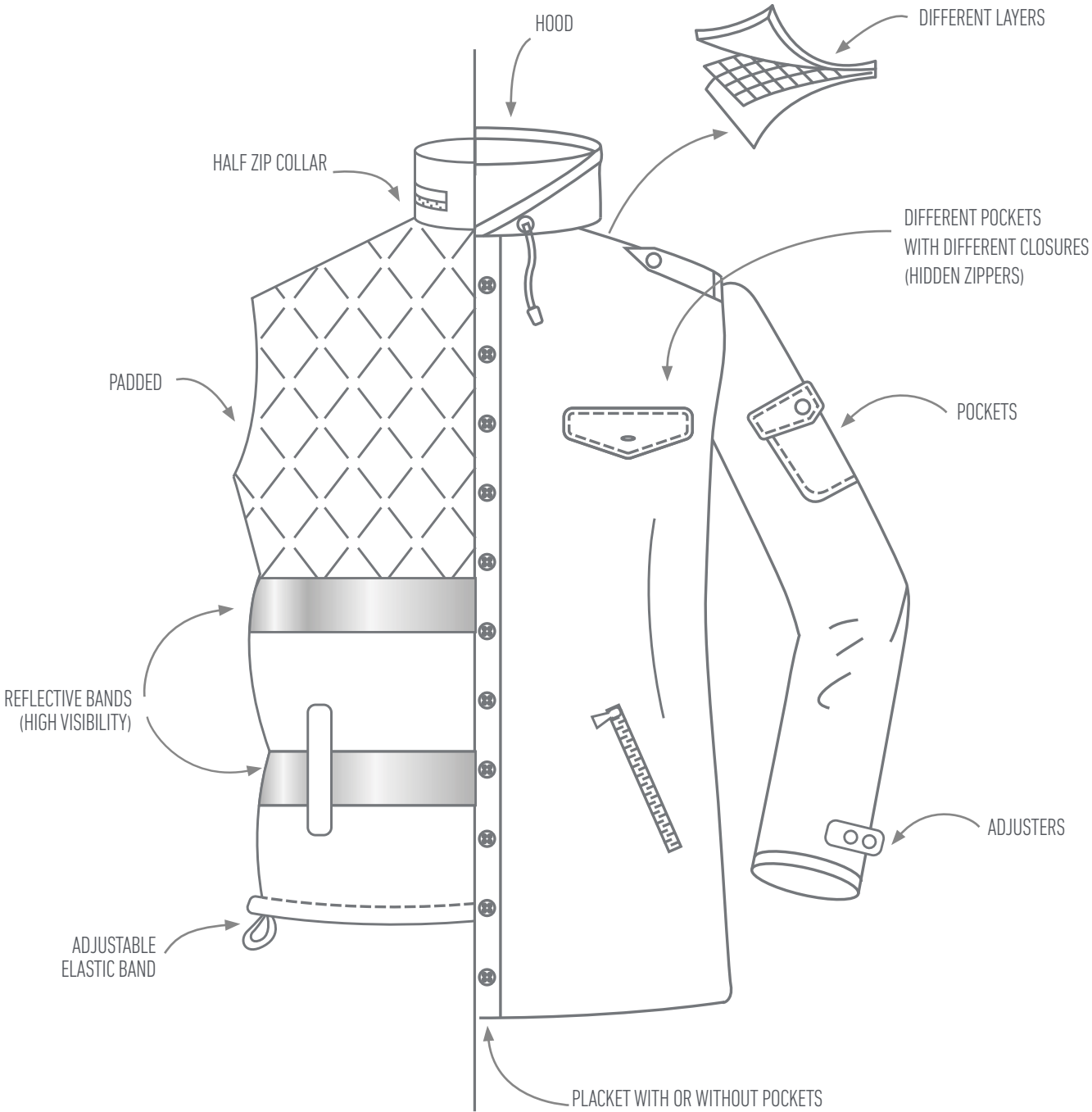


PENCIL SKIRT

OPEN SIDE POCKETS

JACKETS / PARKAS / VESTS

MADE TO ORDER





HOODIE
SOFT FABRIC FITTED CUT



PARKA
SPECIAL FABRIC FOR RAIN



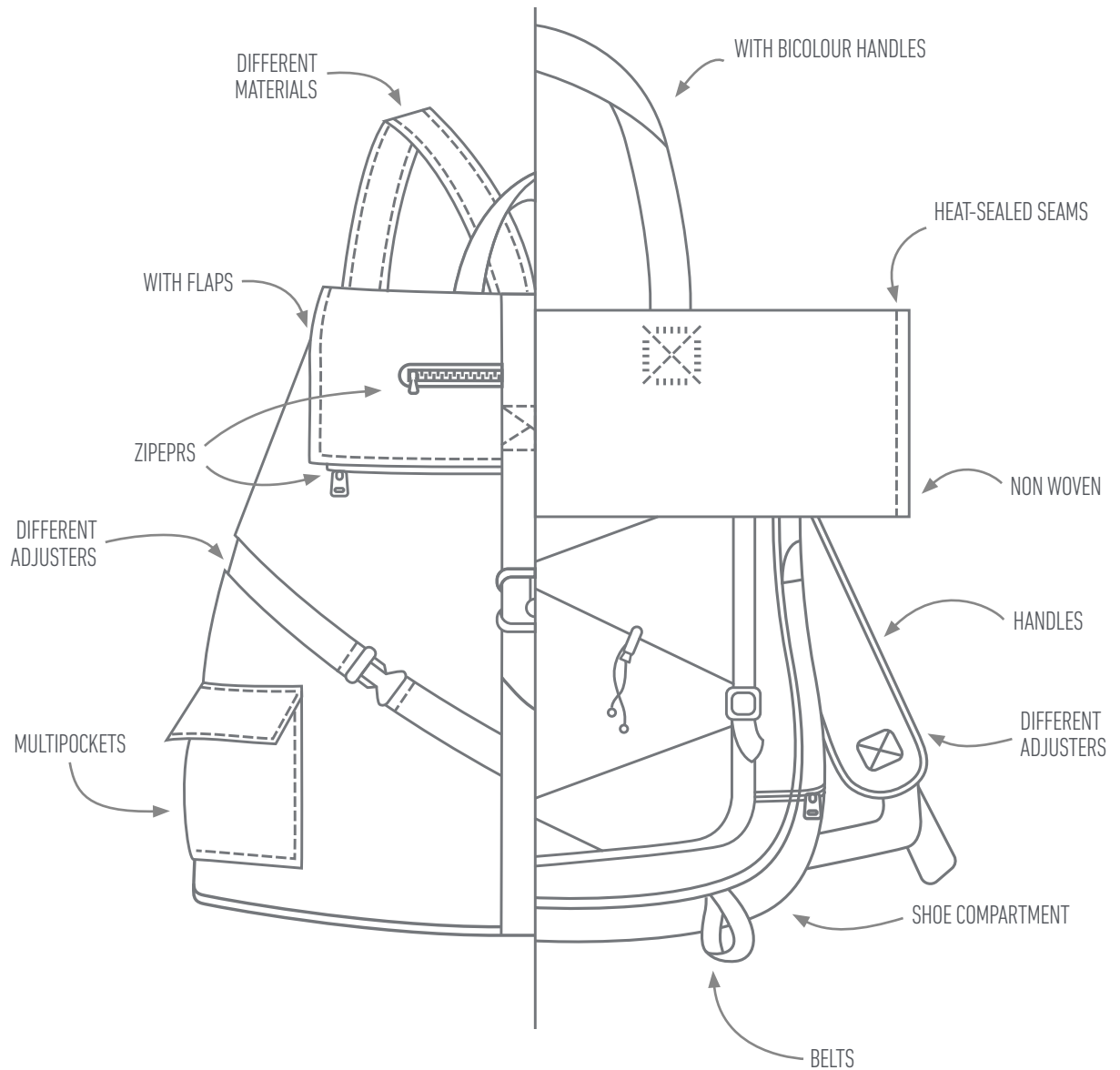
BODY WARMER
QUILTED FABRIC



BODY WARMER
SIX POCKETS, CHIN PROTECTOR

BAGS / BACK PACKS

MADE TO ORDER





SPORT BAG

DIFFERENT COMPARTMENTS



SLING BAG

ADJUSTABLE BELT AND BICOLOUR COMBINATION



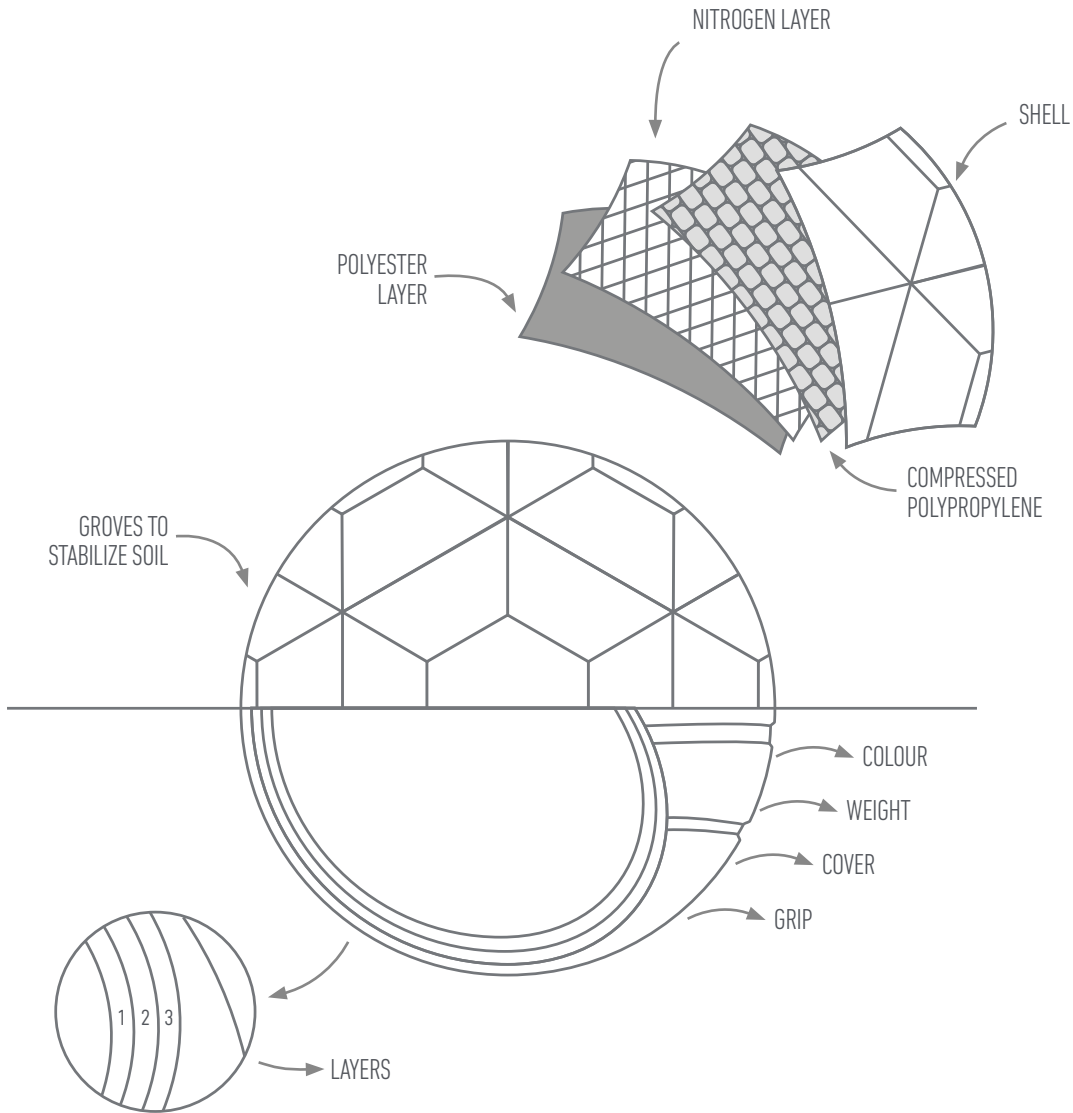
BACK PACK

VERTICAL WIDE OUTER POCKET



BACK PACK FOR OUTDOOR

WITH OUTPUT FOR EARPHONES





FOOTBALL

AVAILABLE IN DIFFERENT MATERIALS



BALL FOR BASKETBALL

MADE OF RESISTANT RAW MATERIALS



TENNIS BALL

DIFFERENT TYPES OF CENTERS



RUGBY BALL

DIFFERENT COMBINATION OF COLOURS

CHOOSE TO DETAIL

ABSOLUTE CONTROL

MADE TO ORDER

www.madetoorder.eu

Our experience allows us to offer an almost infinite range of possible finishes to adapt the products to your usage needs. Every detail is important to get total satisfaction of our customers.



PROTECTION AGAINST COLD

SPECIAL FABRICS AND FINISHES



INFINITE COMBINATIONS

CUSTOMIZE THE COLOURS OF YOUR PRODUCT



ADJUSTABLE APPAREL

CUFFS AND WAISTBAND



MAN AND WOMAN

DIFFERENT PATTERNS AND FINISHES



SPECIAL PADDINGS

DIFFERENT TYPES OF FINISHING



FITTED CUT

FITTED TO THE BODY



HOOD

PROTECTION AGAINST RAIN



WAIST

WITH AND WITHOUT ELASTIC



HIGH VISIBILITY

REFLECTIVE GARMENTS

ALL TYPES OF FINISHES

RAW MATERIALS THAT MAKE US DIFFERENT.

MADE TO ORDER

Our experience allows us to offer an almost infinite range of possible finishes to adapt the items to your usage needs. From different raw materials that make up the items to indications in the finish of cuffs or shape of the neck. Every detail is important to get total satisfaction of our customers.

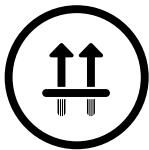


1



WATER REPELLENTS
SPECIAL TREATMENT THAT MINIMIZES THE EROSION EFFECT OF WATER.

2



BREATHABLE TISSUE
MATERIALS THAT ALLOW THE BODY PERSPIRATION





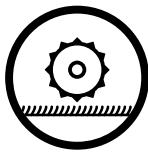
3



DOUBLE LAYER

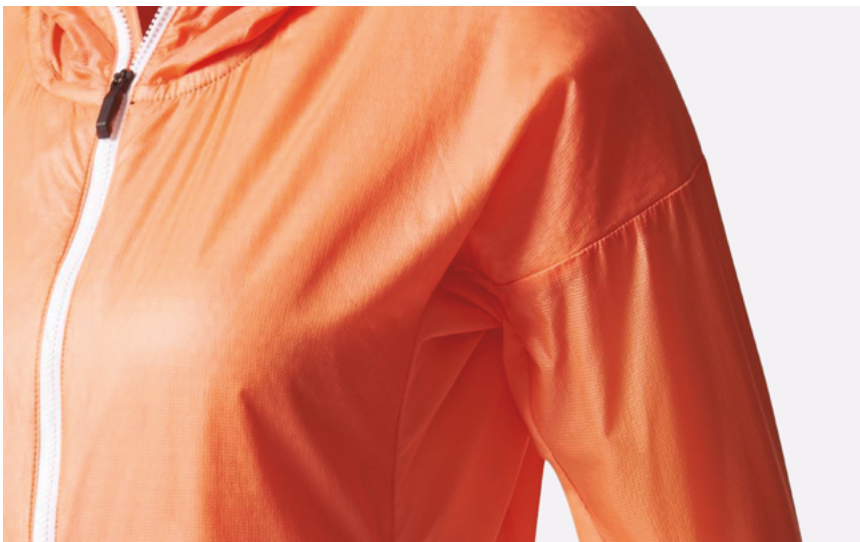
MATERIALS THAT GUARANTEE ISOLATING AND COMFORT

4



BRUSHED FLEECE

TISSUE TREATMENT THAT INCREASES WARMTH

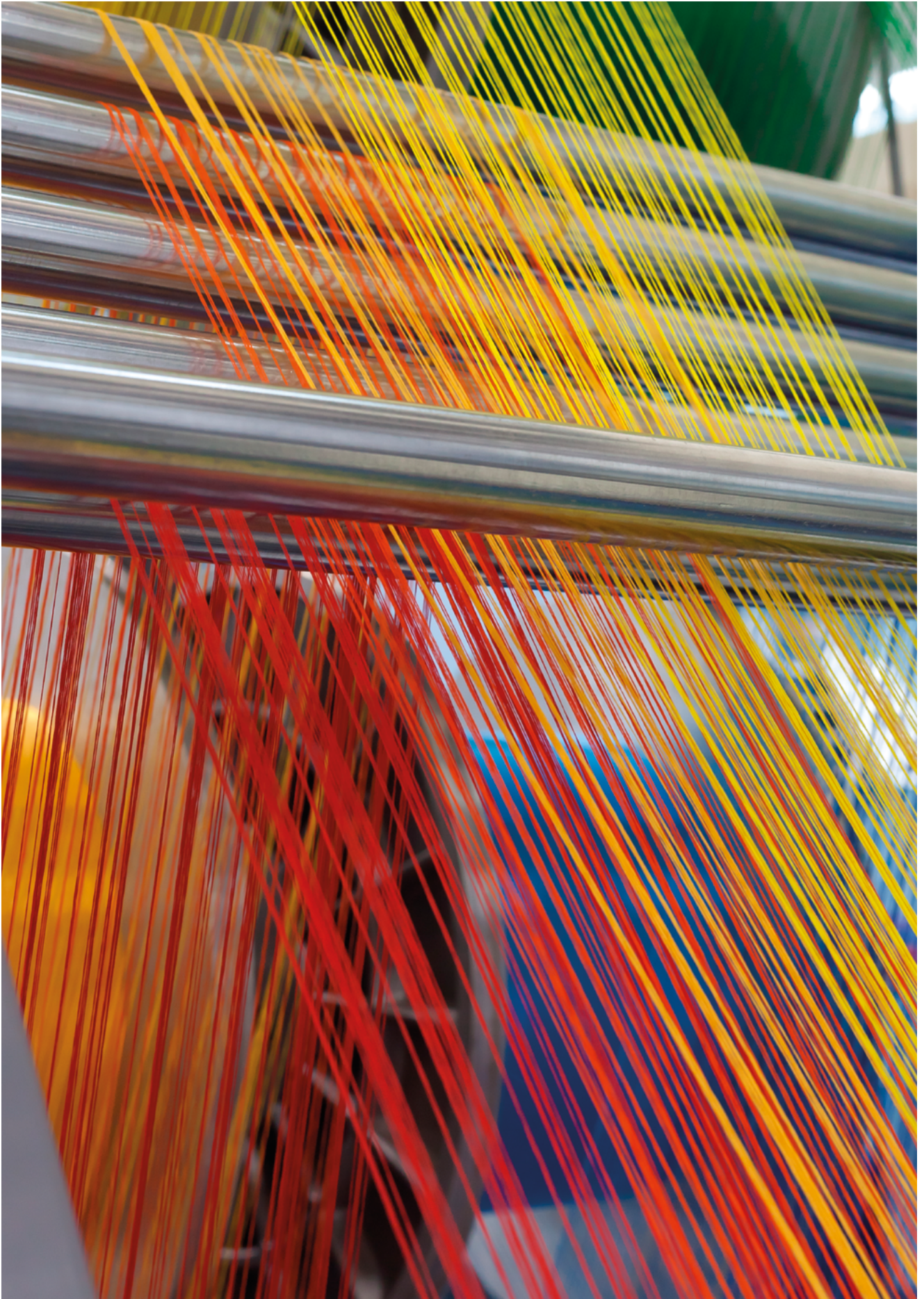


5



WINDPROOF

TREATMENT TO PROTECT AGAINST THE WIND



**MAKE POSSIBLE
EVERYTHING
YOU IMAGINE**

www.madetoorder.eu

MIO

MADE ^{TO} ORDER

www.madetoorder.eu

BRANCHES:

MURCIA

Ctra. Santomera / Abanilla Km 8.8 · 30620 · Fortuna (Murcia) · España
T. (+34) 968 30 99 94 · F. (+34) 968 37 87 53

MADRID

Avenida Somosierra, Pol. Ind de Inbisa 22, F Superior, Bajo · 28709
San Sebastián de los Reyes (Madrid) · España · T. (+34) 91 653 03 99

CANARIAS

Polígono Industrial de Arinaga, C/. los Dragos, 51 · 35118 · Agüimes
Las Palmas (Islas Canarias) · España · T. (+34) 928 79 96 87

BARCELONA

Paseo de la Riera 214 · Pol. Ind. de Rubí · 08191
Rubí (Barcelona) · España · T. (+34) 935 440 085

CONTACT

info@madetoorder.eu